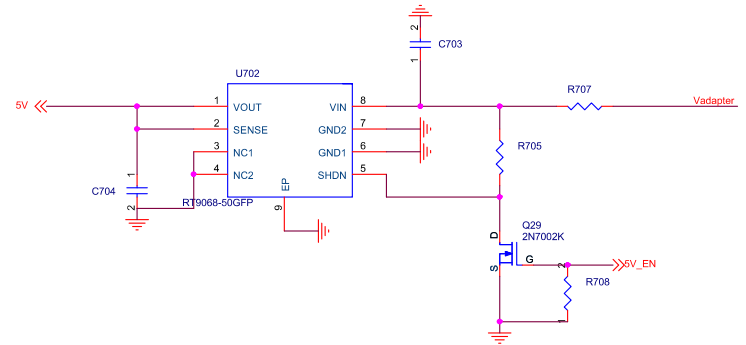
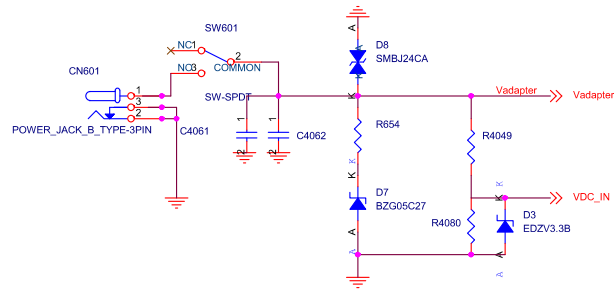
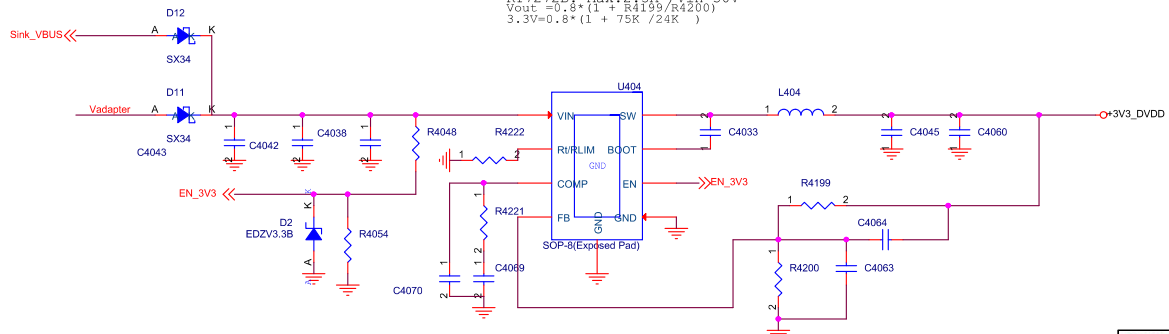
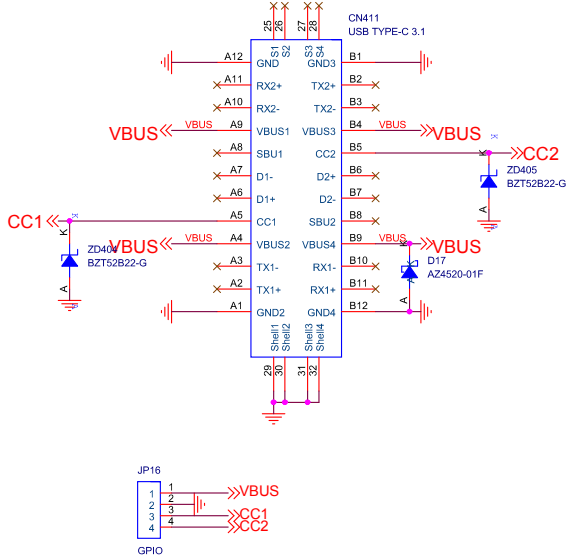


RICHTEK <i>Technology Corp.</i>	
Schematic File Name : PCB094_V2	
EVB Number : PCB094_V2	Size : A4
Engineer Name :	Sheet 1 of 3
Date:	Friday, December 01, 2017



$R_T 7272B; \text{Max: } 2.5A / V_{i0} = 30V$
 $V_{out} = 0.8 * (1 + R4199 / R4200)$
 $3.3V = 0.8 * (1 + 75K / 24K)$



RICHTEK Technology Corp.	
Schematic File Name : PCB094_V2	
EVB Number : PCB094_V2	Size : Custom
Engineer Name :	Sheet 3 of 3
Date: Friday, December 01, 2017	

More Information

For more information, please find the related datasheet or application notes from Richtek website <http://www.richtek.com>.

Important Notice for Richtek Evaluation Board

THIS DOCUMENT IS FOR REFERENCE ONLY, NOTHING CONTAINED IN THIS DOCUMENT SHALL BE CONSTRUED AS RICHTEK'S WARRANTY, EXPRESS OR IMPLIED, UNDER CONTRACT, TORT OR STATUTORY, WITH RESPECT TO THE PRESENTATION HEREIN. IN NO EVENT SHALL RICHTEK BE LIABLE TO BUYER OR USER FOR ANY AND ALL DAMAGES INCLUDING WITHOUT LIMITATION TO DIRECT, INDIRECT, SPECIAL, PUNITIVE OR CONSEQUENTIAL DAMAGES.

Richtek Technology Corporation

14F, No. 8, Tai Yuen 1st Street, Chupei City

Hsinchu, Taiwan, R.O.C.

Tel: (8863)5526789

Richtek products are sold by description only. Richtek reserves the right to change the circuitry and/or specifications without notice at any time. Customers should obtain the latest relevant information and data sheets before placing orders and should verify that such information is current and complete. Richtek cannot assume responsibility for use of any circuitry other than circuitry entirely embodied in a Richtek product. Information furnished by Richtek is believed to be accurate and reliable. However, no responsibility is assumed by Richtek or its subsidiaries for its use; nor for any infringements of patents or other rights of third parties which may result from its use. No license is granted by implication or otherwise under any patent or patent rights of Richtek or its subsidiaries.